

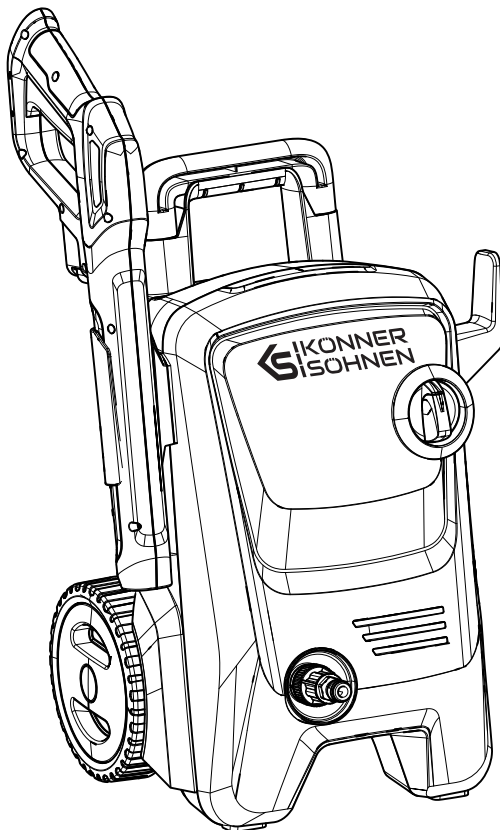
**Please, read this manual  
carefully before use!**

**Owner's Manual**



## **High pressure washer**

KS PW130H  
KS PW145V  
KS PW160HV





Thank you for choosing **Könnér & Söhnen®** products. This manual contains a brief description of safety, setup and use. More information can be found on the official importer's website in the support section: **konner-sohnen.com/manuals**

You can also go to the support section and download the manual by scanning the QR code or on the website of the official importer of **Könnér & Söhnen®** at **www.konner-sohnen.com**



*Please, read this manual  
carefully before use!*

The manufacturer of **Könnér & Söhnen®** products reserves the right to make changes that may not be reflected in this manual, namely:

- The manufacturer reserves the right to make changes in the product design, configuration and construction.
- The images and drawings in this manual are for reference only and may differ from the actual components and inscriptions on the products.

Contact information that you are free to use in case of any problems can be found at the end of this manual. All information in this user manual is up-to-date as of the time of publication. The current list of service centers can be found on the official importer's website at **www.konner-sohnen.com**



**ATTENTION – DANGER!**



**Failure to follow the recommendations marked with this sign may lead to serious injury or death of the operator or third parties.**



**IMPORTANT!**



**Useful information while operating the machine.**

## IMPORTANT SAFETY INFORMATION

1



**WARNING!**



**Read all instructions. Failure to follow all of the instructions below may result in electric shock, fire, and/or serious injury.**

### WORK AREA

- Keep the work area clean and well lit. Cluttered areas and poor lighting can lead to accidents
- Do not operate power tools in explosive atmospheres, such as in the presence of flammable liquids, gases or dust. Power tools create sparks, which may ignite the dust or fumes.
- Keep children and bystanders away while operating the power tool. Distractions can cause you to lose control.

### ELECTRICAL SAFETY

- Power tool plugs must match the outlet. Never modify the plug in any way. Do not use any adapter plugs with earthed power tools. Unmodified plugs and matching outlets will reduce risk of electric shock.
- Avoid body contact with earthed or grounded surfaces such as pipes, radiators, ranges and refrigerators. There is an increased risk of electric shock if your body is in contact with earthed surfaces.
- Do not expose power tools to rain or wet conditions. Water entering a power tool will increase the risk of electric shock.
- Do not abuse the cord. Never use the cord for carrying, pulling or unplugging the power tool. Keep the cord away from heat, oil and sharp edges or moving parts. Damaged or entangled cords increase the risk of electric shock.

- When operating the power tool outdoors, use an extension cord suitable for outdoor use. Use of a cord suitable for outdoor use reduces the risk of electric shock.



**WARNING!**



**The appliance may only be connected to an electric supply that has been installed by an electrician in accordance with IEC 60364.**

- The appliance may only be connected to alternate current. The voltage must match the value specified on the label of the appliance.
- For safety reasons, we recommend operating the appliance only through a residual current device (max. 30mA).
- An unsuitable electrical extension cord can be dangerous. Use only an extension cord that is approved and marked for this purpose, with a sufficient cable cross-section for outdoor use: 1–10 m: 1.5 mm<sup>2</sup>; 10–30 m: 2.5 mm<sup>2</sup>.
- Always fully unwind the extension cable from the cable drum.
- An unsuitable electrical extension cable can be hazardous.

### PERSONAL SAFETY

- Stay alert. Watch what you are doing and use common sense when operating the power tool. Do not operate the tool when you are tired or under the influence of drugs, alcohol or medication. A moment of inattention while operating power tools may result in serious personal injury.
- Use safety equipment. Always wear eye protection. Safety equipment such as dust mask, non-skid safety shoes, hard hat, or hearing protection used for appropriate conditions will reduce personal injuries.
- Avoid accidental starting. Ensure the switch is in the off position before plugging in. Carrying power tools with your finger on the switch or plugging in power tools that have the switch on can lead to accidents.
- Remove any adjusting key or wrench before turning the power tool on. A wrench or a key left attached to a rotating part of the power tool can cause personal injury.
- Do not overreach. Always keep proper footing and balance. This enables better control of the power tool in unexpected situations.
- Dress properly. Do not wear loose clothing or jewellery. Keep your hair, clothing and gloves away from moving parts. Loose clothes, jewellery or long hair can be caught in moving parts.



**ATTENTION – DANGER!**



**The user must use the device for its intended purpose. When operating, local conditions must be considered, and attention must be paid to people nearby.**

- Before each use, check important components such as the high-pressure hose, spray gun, and safety mechanisms for any damage. Immediately replace damaged components. Do not operate appliance with damaged components.
- The appliance has been designed for use with the cleaning agent supplied or recommended by the manufacturer. The use of the other cleaning agents or chemicals may negatively affect the safety of the appliance.
- The high-pressure jet can be dangerous if used incorrectly. Do not direct it at people, electrical equipment under voltage, or the device itself.
- Do not direct the jet at yourself or others in order to clean clothing or footwear.
- Do not use the device near people without proper protective clothing.
- Wear appropriate Personnel Protection Equipment (PPE) while operating the appliance.



**WARNING!**



**The appliance must not be operated by children or untrained personnel.**

- This appliance is not intended for use by persons (including children) with reduced physical, sensory or mental capabilities, or lacking experience and knowledge.
- Children must not play with this appliance.

- Supervise children to prevent them from playing with the appliance.
- Before any work or use of the device, ensure its stability to prevent accidents and damage.
- The water jet emitted from the high-pressure nozzle creates a recoil force on the hand spray gun. Ensure that you have a firm footing and securely hold both the gun and the spray lance.
- Never leave the appliance unattended as long as it is in operation.
- During the use of high-pressure cleaners aerosols can develop. Inhaling them could be harmful to health.
- Depending on the application, fully shielded nozzles (e.g., surface cleaners) can be used to significantly reduce the formation of water aerosols during high-pressure cleaning.
- The use of such shielding is not possible for all applications.

**ATTENTION – DANGER!**

**In case of extended breaks, switch the appliance off at the main switch or disconnect the plug from the power supply.**

- Do not operate the appliance at temperatures below 0° C

### OTHER RISKS

**ATTENTION – DANGER!**

**The appliance cannot be used in an explosive environment.**

- Risk of explosion-Do not spray flammable liquids.
- Never pour fluids containing solvents or undiluted acids and solvents into the appliance! These include gasoline, paint thinners, and heating fluid. The fine aerosol mist can be extremely flammable, explosive, and toxic. Do not use acetone, undiluted acids and solvents, as they corrode the materials used in the appliance.
- Never use the appliance with flammable or toxic liquids, or liquids whose properties are incompatible with the proper operation of the appliance.
- Keep packaging films away from children, there is a risk of suffocation!

**WARNING!**

**According to applicable regulations, the appliance must never be connected directly to the drinking water supply system without a backflow preventer. Ensure that the water installation in your building, to which the high-pressure cleaner is connected, is equipped with a backflow preventer as required.**

- Water that has flowed through backflow preventers is considered non-potable.
- High-pressure hoses, fittings and couplings are important for the safety of the appliance. Only use high-pressure hoses, fittings and couplings recommended by the manufacturer.
- To ensure applicable safety, use only original spare parts from the manufacturer or approved by the manufacturer.
- Switch the product off and disconnect it from the power supply removing the power plug from the socket outlet before assembly, cleaning, adjustments, maintenance, storage and transportation or converting the product to another function.

**IMPORTANT!**

**Pay attention to the weight of the appliance when choosing a storage location and during transportation to avoid accidents and injuries.**

Several hours of continuous use of the appliance may, in rare cases, lead to numbness in the hands:

- Wear gloves;
- Keep hands warm;
- Take regular breaks when working with detergent.



**WARNING!**



**The improper use of detergents can cause severe injuries or oxidation.**

- Store cleaning agents out of the reach of children.
- Before disconnecting the hose from the device, release any residual pressure by pressing the trigger button.
- Before each use and regularly, check if all metal connections are tightly secured and if the device components are in proper condition; inspect for broken or worn-out parts.
- Be aware of kick-back: Hold with both hands.

## SERVICING OF A DOUBLE-INSULATED APPLIANCE

In a double-insulated product, two systems of insulation are provided instead of grounding. Grounding means are not provided for a double-insulated product, nor should grounding means be added to the product. Servicing a double-insulated product requires extreme care and knowledge of the system, and should only be done by qualified service personnel. Replacement parts for a double-insulated product must be identical to the original parts. A double-insulated product is marked with the words “Double Insulation” or “Double Insulated”.

## Residual risks

Even if you are operating this product in accordance with all the safety requirements, potential risks of injury and damage remain. The following dangers can arise in connection with the structure and design of this product:

- Health defects resulting from vibration emission if the product is being used over long periods of time or not adequately managed and properly maintained.
- Danger of injury and property damage caused by flying objects.
- Injuries and damage to property due to broken accessories or the sudden impact of hidden objects during use.

## SAFETY DEVICES

**Power switch.** The appliance switch prevents unintentional operation of the appliance.

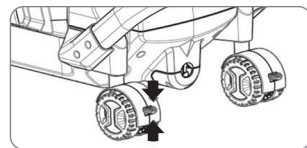
**Trigger lock:** This lock secures the trigger lever and prevents the accidental activation of the appliance. Overflow valve with backflow prevention.

Water that has passed through the backflow valve is considered unsafe for drinking.

**Automatic ON/OFF.** If the lever on the trigger gun is released the pressure switch turns off the pump, the high pressure jet is stopped. If the lever is pulled the pump is turned on again.

**Motor protection automatic switch.** Shuts off the device in case of overload.










**Universal wheel.** There is a brake which is moved up and down to lock and unlock on universal wheel for braking effectively.



## PROPER USE

- Use this pressure washer for private households only.
- If connection is made to a potable water system, the system must be protected against backflow.
- This high pressure cleaner is designated with a rated input current. The intended use of this product covers the cleaning of vehicles, buildings, terraces, facades and garden equipment using clean water and biodegradable chemical detergents. Likewise the product can be used to clean paving slabs or rain gutters.
- This product should not be used to clean clothing, shoes and other textiles. Do not direct the water jet at people, animals, electrical equipment, or the device itself. Do not flush any objects which contain health hazardous materials. The product must not be run with inflammable, explosive and toxic liquids.
- For safety reasons it is essential to read the entire instruction manual before first operation and to observe all the instructions there in.

The rating plate on your tool may show symbols, which represent important information about the product or instructions for its use.

	Read the user manual.
	Denotes risk of personal injury, loss of life, or damage to the tool in case of non-compliance.
	Wear personal protective equipment. Basically, wear protective goggles or, even better, face protection, ear protection.
	The high pressure jet must not be directed at people, animals, electrical equipment under voltage or at the appliance itself.
	The appliance must not be directly connected to the public drinking water network.
	Do not expose to rain.
	This product is double insulated electrically
	Disconnect from mains power immediately if the power cord becomes damaged.
	Used electrical products should not be disposed of with household waste. Please recycle where appropriate facilities are available. Check with your Local Authority or retailer for recycling advice.

## MAIN OVERVIEW

3

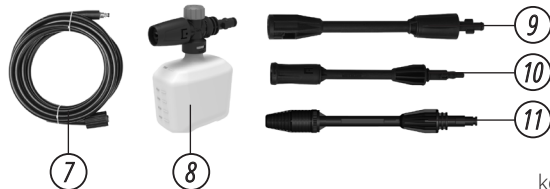
MODEL KS PW130H



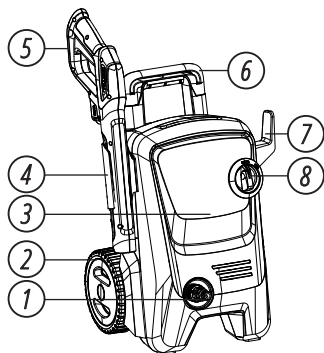
1. Wheels
2. Water outlet
3. Trigger gun
4. Block system
5. ON/OFF Switch
6. High-pressure hose holding strap

### ACCESSORIES IN THE SET

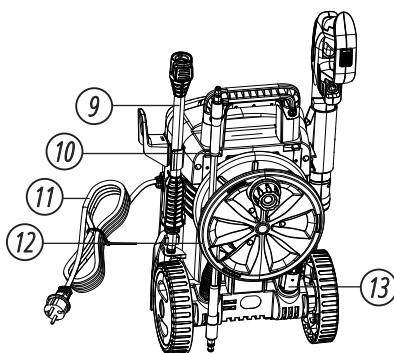
7. 7m PVC high pressure hose
8. 550ml foam generator
9. Extension lance
10. Spray lance
11. Turbo lance



## MODEL KS PW145V



- 1. Water inlet
- 2. Wheel
- 3. Front case
- 4. Trigger gun holder
- 5. Trigger gun
- 6. Handle
- 7. Power cord holder
- 8. Adjust switch OFF/ON



- 9. Spray wand
- 10. High pressure hose
- 11. Power cord
- 12. High pressure hose holder
- 13. Jet nozzle



14



15



16

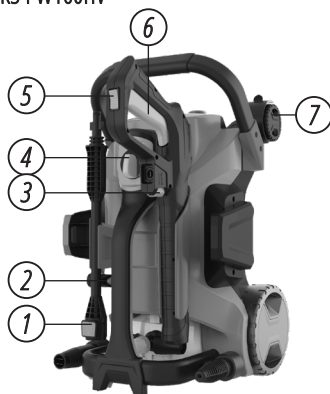


17

### ACCESSORIES IN THE SET

- 14. 7m PVC high pressure hose
- 15. 550ml foam generator
- 16. Adjustable nozzle
- 17. Turbo nozzle

## MODEL KS PW160HV



- 1. Quick plug system
- 2. Water inlet
- 3. Quick-connect coupling
- 4. Regulator of washing power
- 5. Safety lock
- 6. Trigger gun
- 7. Wheels

- 8. Water outlet

### ACCESSORIES IN THE SET

- 9. 8m PVC high pressure hose
- 10. 1l foam generator
- 11. Adjustable nozzle
- 12. Turbo nozzle



8



9



10



11



12

**IMPORTANT!**

The manufacturer reserves the right to make changes and/or improvements to the design, components, and technical attributes without notice or obligation. The pictures in this manual are schematical and may not match the parameters of original product.

**SPECIFICATIONS****4**

Model	KS PW130H	KS PW145V	KS PW160HV
Rated voltage	230V	230V	230V
Frequency	50 Hz	50 Hz	50 Hz
Motor power	1600 W	1800 W	possibility of adjusting motor power 1800 ~ 2200 W
Max/Rated pressure	130/90 Bar	145/100 Bar	pressure adjustment function 160/70~110 Bar
Flow rate	5,2 l/min	5,5 l/min	5,6 l/min
Hose length	7 m	7 m	8 m
Gross dimensions (L×W×H)	386×250×280 mm	365×305×555 mm	520×410×385 mm
Net weight	6,1 kg	11 kg	12,9 kg

**ASSEMBLY INSTRUCTIONS****5**

Mount loose parts delivered with appliance prior to start-up.

**MODEL KS PW130H****1. Installing the spray wand (Fig. 1A).**

Fit the spray wand into the gun and rotate it until the two parts are completely locked.

**2. Connect the high pressure hose to the trigger gun (Fig. 1B).**

Connect the sliver end of the high-pressure hose to the trigger gun.

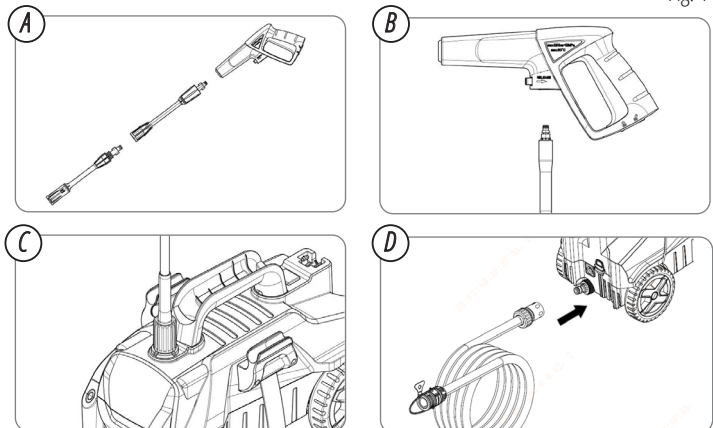
**3. Connect the high-pressure hose to the water outlet (Fig. 1C).**

Connect the other end of the high-pressure hose to the water outlet on the washer and twist the black rotatable end-piece as indicated to secure the connection.

**4. Connect the garden hose to the water inlet (Fig. 1D).**

Screw the water filter onto the water inlet pipe of the high-pressure washer and tighten it manually. Attach the hose connector to the water filter. The connector should lock into place with a click.

Fig. 1





## MODEL KS PW145V

1. Installing the tower cord holder (Fig. 2A).
2. Slide the trigger gun holder (Fig. 2B).
3. Installing the spray wand (Fig. 2C).

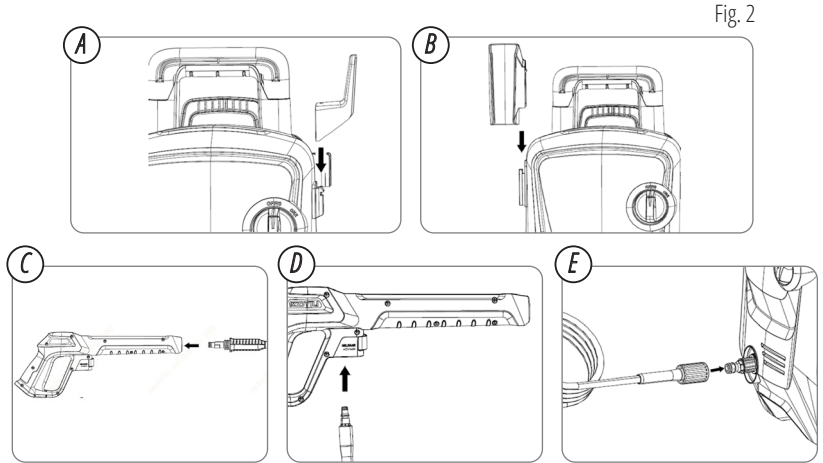
Fit the spray wand into the gun and rotate it until the two parts are completely locked.

4. Connect the high pressure hose to the trigger gun (Fig. 2D).

Connect the end of the high-pressure hose to the trigger gun.

5. Connect the garden hose to the water inlet (Fig. 2E).

Screw the water filter onto the water inlet pipe of the high-pressure washer and tighten it manually. Attach the hose connector to the water filter. The connector should lock into place with a click.



## MODEL KS PW160HV

1. Installing the handle with screws (Fig. 3A).
2. Installing the spray wand (Fig. 3B).

– Fit the spray wand into the gun and rotate it until the two parts are completely locked.

– Snap the desired nozzle onto the quick-connect collar until it clicks into place.

3. Connect the high pressure hose to the trigger gun (Fig. 3C).

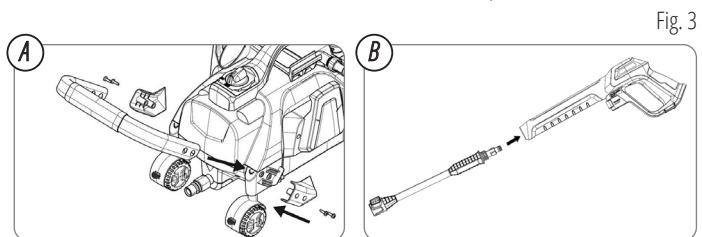
Connect the end of the high-pressure hose to the trigger gun.

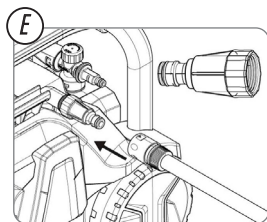
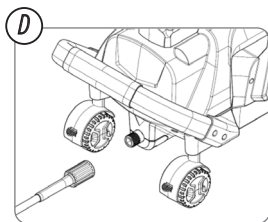
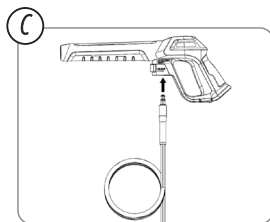
4. Connect the high-pressure hose to the water outlet (Fig. 3D).

Connect the other end of the high-pressure hose to the water outlet on the washer and twist the black rotatable end-piece as indicated to secure the connection.

5. Connect the garden hose to the water inlet (Fig. 3E).

Screw the water filter onto the water inlet pipe of the high-pressure washer and tighten it manually. Attach the hose connector to the water filter. The connector should lock into place with a click.





## GETTING STARTED

6

Place the appliance on an even surface. Insert the mains plug into the socket.

### Water supply

For connection values, see type plate.



**WARNING!**



**Impurities in the water can damage the high-pressure pump and the accessories.**

### Water supply from mains.

These high-pressure washers are suitable for use with the "KS SPH 5m" suction hose with a backflow valve for drawing surface water, e.g., from reservoirs or ponds.

1. Fill the suction hose with water.
2. Connect the suction hose to the water inlet of the appliance and insert it into the water source (e.g., a rainwater barrel).

### Water intake from open reservoirs.

Attach garden hose to water supply



**IMPORTANT!**



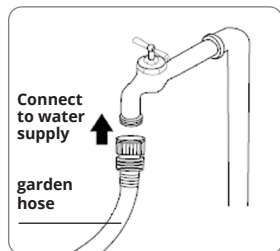
**Do not connect to potable water system.**

The water supply must not exceed 0.7MPa.

The washer must only be used with clean water, use of unfiltered water containing corrosive chemicals will damage the washer.

Purge the device as follows prior to operation:

- Turn on the appliance (button "ON").
- Unlock the lever of the trigger gun.
- Push the lever of the trigger gun, the device will switch on.
- Let the device run (max. 2 minutes) until the water exits the trigger gun without bubbles.
- Release the lever of the trigger gun.
- Lock the lever of the trigger gun.



## OPERATION

7



**WARNING!**



**Dry running of more than 2 minutes leads to damage of the high-pressure pump. If the appliance does not build up pressure within 2 minutes, switch the appliance off and proceed in accordance with the instructions in Chapter "Troubleshooting"**

### HIGH PRESSURE OPERATION

- Keep a distance of at least 30 cm when using the jet for cleaning painted surfaces to avoid damage.
- Make sure the ON/OFF switch is set to "OFF/O" and insert the plug into a properly installed socket.

1. The washer must be used on a secure and stable surface in a standing position according to the model (Fig. 4). Connect the product to power and water supply as described.
2. Open the water supply.
3. Hold the spray gun with both hands.
4. Direct the nozzle of the chosen accessory away from yourself towards the surface to be cleaned.
5. Unlock the trigger and press it until a constant amount of water flows through the nozzle, to allow air trapped in the hose to escape.
6. Release the trigger.
7. Turn on the switch "OFF (O)/ON (I)".
8. Hold the spray gun with both hands. Direct the water jet to the object to be cleaned and press the trigger.

Release the trigger lever – the device will automatically turn off, stopping the water flow. High pressure remains in the system even after the device is turned off.

#### PRESSURE ADJUSTMENT FUNCTION IN MODEL KS PW160HV

Rotate the switch knob from the Max (pressure select dial) to adjust the pressure of the washer. (Fig. 5).

Release the trigger lever – the device will automatically turn off, stopping the water flow. High pressure remains in the system even after the device is turned off.

Fig. 4

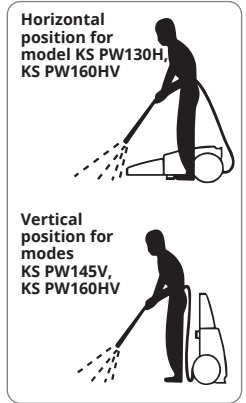
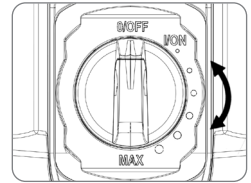


Fig. 5



**WARNING!**



**Beware of kickback when pressing the trigger!**

#### INTERRUPTING OPERATION

- Release the lever of the trigger gun.
- Lock the lever of the trigger gun.
- Put the trigger gun with the spray lance into the parking position.
- During longer breaks (more than 5 minutes), also turn the appliance off using the "OFF/ON" switch.

#### FINISH OPERATION

1. Release the lever of the trigger gun.
2. Turn off the appliance "OFF/ON".
3. Disconnect the mains plug from the socket.

The high-pressure hose should only be disconnected from the gun or device after relieving the pressure in the system.

#### Turn off the tap

- Press the trigger lever to release any remaining pressure in the system.
- Release the lever of the trigger gun.
- Lock the lever of the trigger gun.



**WARNING!**



**When disconnecting the supply or high pressure hose, warm water may leak from the connection after operation.**

- Detach the appliance from the water supply.



**ATTENTION – DANGER!**



**Risk of personal injury or damage!**

Keep in mind the weight of the appliance during transport.

### WHEN TRANSPORTING BY HAND

- Switch the product off and disconnect it from the water and power supply.
- Pull out the transport handle until it audibly snaps into place. Attach transportation guards, if applicable.
- Pull the appliance by its transport handle.

### WHEN TRANSPORTING IN VEHICLES

- Tilt the product towards you until it balances on the wheels. Then move it by its transportation handle.
- Protect the product from any heavy impact or strong vibrations which may occur during transportation in vehicles.
- Secure the appliance against shifting and tipping over.

### STORING THE APPLIANCE

- Place the machine on an even surface.
- Detach spray lance from the trigger gun.
- Push the disconnect button on the trigger gun and pull the high-pressure hose out of the trigger gun.
- Place the trigger gun into the storage for the trigger gun.
- Put both spray lances into the storage for the spray lance.
- Dirt grinder spray lance: Nozzle towards the bottom.
- Coil the high-pressure hose and hang it over the hose storage.
- Store the mains connection in the accessory compartment.
- Prior to extended storage periods, as during the winter, also observe the instructions in the care section.
- Always store the pressure cleaner, parts, and accessories in a place that is inaccessible to children. The ideal storage temperature is between 10 °C and 30 °C. Store the power washer indoors to prevent the water in the unit from expanding under freezing conditions.
- We recommend using the original package for storage or covering the product with a suitable cloth or enclosure to protect it against dust.

### FROST PROTECTION



**WARNING!**



**Appliance and accessories that are not completely drained can be destroyed by frost.**

Completely drain appliance and accessories and protect them against frost. To avoid damage:

- Detach the appliance from the water supply.
- Detach spray lance from the trigger gun.
- Turn on the appliance “ON/OFF”.
- Push the lever of the trigger gun until no more water is escaping .
- Release the lever of the trigger gun.
- Lock the lever of the trigger gun.
- Turn off the appliance “ON/OFF”.
- Store the appliance and the entire accessories in a frost free room.



**ATTENTION – DANGER!**



**Risk of electric shock. Prior to all work on the appliance, switch off the appliance and pull the power plug.**

### HIGH PRESSURE HOSE

- The high pressure hose is specially constructed with reinforced walls, so it can be easily damaged and should be stored carefully.
- Do not kink the hose.
- Do not drive vehicles over the hose.
- Do not expose the hose to sharp edges or corners. Misuse will lead to ballooning or premature failure and will invalidate warranty.

### CLEAN THE MESH FILTER IN THE WATER INTAKE

Regularly clean the mesh at the water connection point.

Remove coupling from the water connection, and rinse with warm water to prevent any foreign matter from clogging the pump.

Clean the nozzle with the needle clean-out tool provided. Remove the spray wand from the gun. Remove any dirt from the nozzle hole and rinse. (Fig. 6)



**WARNING!**



- **The mesh must not be damaged.**
- **Pull the mesh out using flat pliers.**
- **Clean the mesh under running water.**
- **Reinsert the mesh into the water connection.**

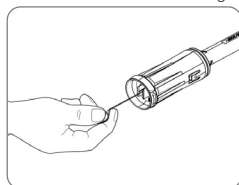


Fig. 6



**ATTENTION – DANGER!**



**Risk of electric shock.**

Turn off the appliance and remove the main plug prior to performing any care and maintenance work. Repairs and maintenance of electrical components can only be carried out by an authorized service center. You can rectify minor faults yourself with the help of the following guide. If in doubt, please consult the authorized customer service.

Check	Possible causes	Corrective action
<b>Machine refuses to start</b>	Machine not plugged in.	Plug in machine.
	Defective socket.	Try another socket.
	Defective extension cord.	Switch off other machines. Try without the extension cord.
<b>Fluctuating pressure</b>	Pump sucking air.	Check that hoses and connections are airtight.
	Valves dirty, worn out or stuck.	Clean and replace or refer to local distributor.
	Pump seals worn out.	Clean and replace or refer to local distributor.
<b>Machine stops</b>	Incorrect mains voltage.	Check that the mains voltage corresponds to specification on the model tag.
	Thermal sensor activated.	Leave the washer for 5 minutes to cool down.
	Nozzle partially blocked.	Clean the nozzle.
<b>Machine pulsating</b>	Air in inlet hose.	Allow machine to run with open trigger until regular working pressure resumes.
	Inadequate supply of mains water.	Check that the water supply corresponds to specifications required
	Nozzle partially blocked.	NB! Avoid using long, thin hoses (min. 1/2").
	Water filter blocked.	Clean the nozzle/Clean the filter
	Hose kinked.	Straighten out hose.
<b>Machine starts, but no water comes out</b>	Pump/hoses or accessory frozen.	Wait for pump/hoses or accessory to thaw.
	No water supply.	Connect inlet water.
	Water filter blocked/Nozzle blocked.	Clean the filter/Clean the nozzle

## WARRANTY SERVICE TERMS

# 11

The international manufacturer warranty is 1 year. The warranty period starts from the date of purchase. In cases when warranty period is longer than 1 year according to local legislation please contact your local dealer. The Seller which sells the product is responsible for providing the warranty. Please contact the Seller for warranty. Within the warranty period, if the product fails because of defects in the production process, it will be exchanged on the same product or repaired.

All faults caused by the manufacturer during the warranty period will be eliminated free of charge. Warranty repair is carried out only if you have a fully completed warranty card, the Buyer's signature of acceptance of the warranty terms, as well as a document supporting the purchase (cash receipt, sales slip or invoice). In the absence thereof, as well as in the event of errors or corrections not authenticated by the seller's seal or illegible inscriptions in the warranty card or tear-off coupon, no warranty repair is carried out, no objections to quality are accepted and the warranty card is withdrawn by the service center as invalid. The device is accepted for repair clean and fully equipped.



# EC Declaration of Conformity

Nr. 226

The following products have been tested by us with the listed standards and found in compliance with the European Community Directive 2014/30/EU relating to electromagnetic compatibility, Directive 2006/42/EC relating to machinery.

Manufacturer: DIMAX INTERNATIONAL GmbH  
Address: Flinger Broich 203, 40235 Duesseldorf, Germany  
Product: High pressure washer "Könner & Söhnen"  
Type / Model: KS PW130H, KS PW145V, KS PW160HV

The statement is based on a single evaluation of above mentioned products. It does not imply an assessment of the whole production and does not permit the use of the test lab. logo. The manufacturer should ensure that all product in series production are in conformity with the product sample detailed in this report. The applicant should hold the whole technical report at disposal of the competent all the right.

Applied EC Directives: 2014/30/EU Electromagnetic compatibility Directive (EMC)  
2006/42/EC Machinery Directive

Applied Standards: EN IEC 55014-1:2021  
EN IEC 55014-2:2021  
EN IEC 61000-3-2:2019+A1:2021  
EN 61000-3-3:2013+A1:2019+A2:2021  
BS EN IEC 55014-1:2021  
BS EN IEC 55014-2:2021  
BS EN IEC 61000-3-2:2019+A1:2021  
BS EN 61000-3-3:2013+A1:2019+A2:2021  
EN 60335-1:2012+A11:2014+A13:2017+A1:2019+  
+A14:2019+A2:2019+A15:2021  
EN 60335-2-79:2012  
EN 62233:2008

## 2000/14/EC\_2005/88/EC Annex VI

For model KS PW130H, KS PW145V noise guaranteed Lwa = 92 dB (A)  
For models KS PW160HV noise guaranteed Lwa = 95 dB (A)



22

**Issued Date:** 2025-04-02  
**Place of issue:** Duesseldorf  
**Director:** Fomin P.

*P. Fomin*

**DIMAX**

International GmbH  
Flinger Broich 203 40235 Düsseldorf  
USt-ID DE296177274  
koenner-soehnen.com

We DIMAX INTERNATIONAL GmbH hereby declare that specified above conforms covering European Parliament and Council Directives, 2006/42/EC of 17 May 2006 Machinery Directive, Electromagnetic compatibility Directive (EMC) 2014/30/EC of 26 February 2014. The CE mark above can be used under the responsibility of manufacturer. After completion of an EC declaration of Conformity and compliance with all relevant EC directives.

## CONTACTS

**Deutschland:**

Hergestellt unter Lizenz und Kontrolle der DIMAX International GmbH.

Importeur und Vertreter in Deutschland:  
DIMAX International GmbH Flinger Broich 203, 40235  
Düsseldorf, Deutschland. Produziert in VRC.

innovationtrade8@gmail.com

[www.konner-sohnen.com/de](http://www.konner-sohnen.com/de)

---

**European Union:**

Manufactured under license and control of DIMAX International GmbH, Flinger Broich 203, 40235 Duesseldorf, Germany.

Importer and representative in Netherlands DIMAX International Poland Ltd, Południowa 8 st, 05-0830 Stara Wieś, Poland. Assembled in PRC.

innovationtrade8@gmail.com

[www.konner-sohnen.com](http://www.konner-sohnen.com)

---

**The United Kingdom:**

Innovation Trade Ltd., 63/66 Hatton Garden Fifth Floor, Suite 23, London, EC1N 8LE, info.uk@dimaxgroup.de

**Technical support**

support.uk@dimaxgroup.de

[konner-sohnen.com/en-gb](http://konner-sohnen.com/en-gb)

---

**France:**

Fabriqu e sous licence et contr le de DIMAX International GmbH, Flinger Broich 203, 40235 D usseldorf, Allemagne.

Importateur et repr sentant en France et en Belgique DIMAX International Poland Ltd, Południowa 8 st, 05-0830 Stara Wieś, Pologne. Assembl e en RPC.

innovationtrade8@gmail.com

[www.konner-sohnen.com/fr](http://www.konner-sohnen.com/fr)

---

**España:**

Fabricado bajo licencia y control de DIMAX International GmbH, Flinger Broich 203, 40235 D usseldorf, Alemania.

Importador y representante en Espa a de DIMAX International Poland Ltd, Południowa 8 st, 05-0830 Stara Wieś, Polonia.

Ensamblado en la Rep blica Popular China.

innovationtrade8@gmail.com

[www.konner-sohnen.com/es](http://www.konner-sohnen.com/es)

---

**Polska:**

Wyprodukowano na licencji i pod kontrol  DIMAX International GmbH, Flinger Broich 203, 40235 Duesseldorf, Niemcy.

Importer i przedstawiciel w Polsce:

DIMAX International Poland Sp.z o. o. ul. Południowa 8, 05-0830 Stara Wieś, Polska. Zmontowany w CRL.

innovationtrade8@gmail.com

[www.konner-sohnen.com/pl](http://www.konner-sohnen.com/pl)

---

**Україна:**

Виготовлено за ліцензією та під контролем DIMAX International GmbH, Flinger Broich 203, 40235 Дюссельдорф, Німеччина.

Імпортер та представник в Україні:

ТОВ "ТЕХНО ТРЕЙД КС" вул. Електротехнічна 47, 02232, м. Київ, Україна. Змонтовано в КНР

[www.konner-sohnen.com/ua](http://www.konner-sohnen.com/ua)